

**NEW &  
IMPROVED  
DESIGN**



# 8001C Concealed Door Stay



**Smooth roller action with  
90° hold-open**



**Clean uncluttered look**

The Lockwood concealed door stay is the ideal choice where an uncluttered look or the clean lines of the door are required to be seen.

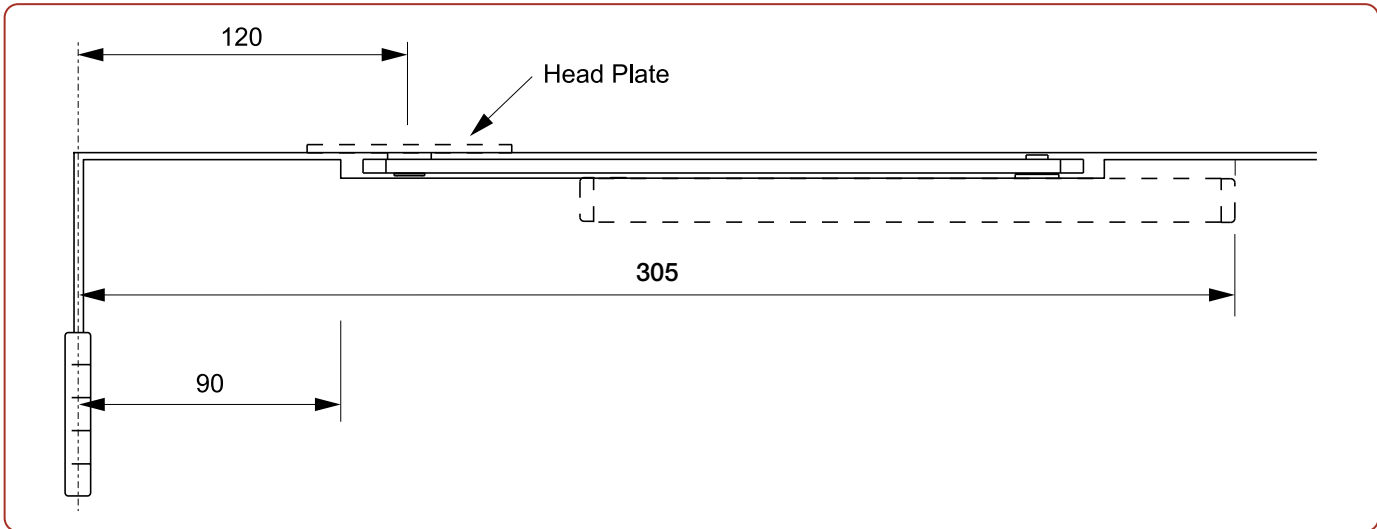
Lockwood 8001C door stays are ideally suited for medium to light duty applications where the expense of a hydraulic door closer cannot be justified.

**Features include:**

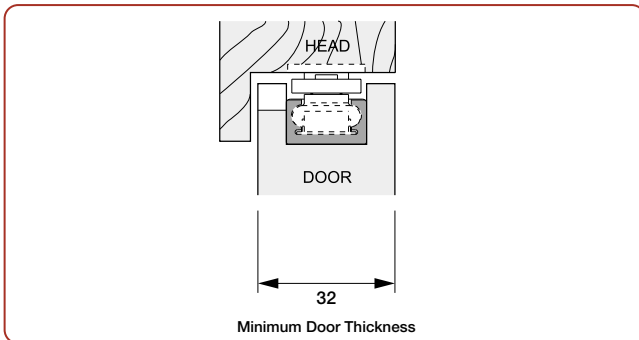
- New and improved smooth action roller mechanism.
- Noiseless friction hold-open.
- Non-handed.
- Mechanism tested to 500,000 cycles.
- Stainless steel and anodized aluminium finishes.
- Suitable for both 90° and 180° openings.
- Suitable for patio, partitioning, cupboards, switchroom, FHR type doors.
- Suitable for door widths from 400 mm to 850 mm.
- Suitable for door thicknesses from 32 mm.

## Limiting Dimensions

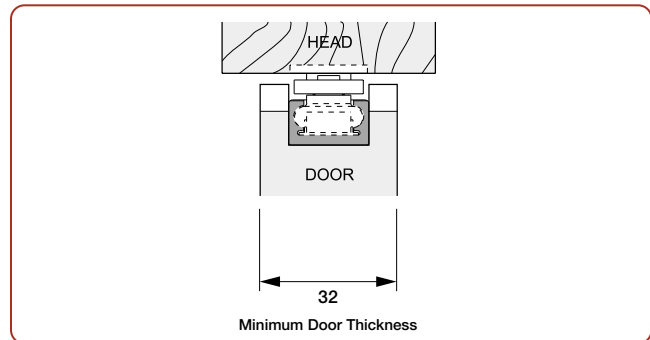
Dimensions in millimetres.



## Single Action Opening Door



## Double Action Opening Door



## Finishes Available

Satin Stainless Steel SSS

Other finishes available on application.

## Part Number

8001CSSS



Visit us at: [www.lockwoodsecurity.com.au](http://www.lockwoodsecurity.com.au)

## Sales Offices & Authorised Agents

### Victoria – Head Office

Telephone (03) 8574 3888  
Facsimile (03) 8574 3788

### Queensland South

Telephone (07) 3373 5200  
Facsimile (07) 3373 5256

### Queensland North

Telephone (07) 4779 0177  
Facsimile (07) 4775 1480

### New South Wales

Telephone (02) 9554 4011  
Facsimile (02) 9554 3772

### South Australia

Telephone (08) 8364 1930  
Facsimile (08) 8364 1931

### Western Australia

Telephone (08) 9227 9588  
Facsimile (08) 9227 8913

### Tasmania

Telephone (03) 6223 5404  
Facsimile (03) 6224 0435

### Northern Territory

Telephone (08) 8984 3653  
Facsimile (08) 8947 0082

### Auckland

Telephone (09) 634 5590  
Facsimile (09) 634 5589

### Christchurch

Telephone (03) 379 4810  
Facsimile (03) 379 4819

### Wellington

Telephone (04) 237 0808  
Facsimile (04) 237 0060

### Export Department

Telephone +61 (0)3 8574 3888  
Facsimile +61 (0)3 8574 3789

### Asian Offices

**ASSA ABLOY – Malaysia**  
**ASSA ABLOY – Singapore**  
**ASSA ABLOY – Thailand**  
**ASSA ABLOY – Hong Kong**  
**ASSA ABLOY – Shanghai**  
**ASSA ABLOY – Beijing**

Contact the Export Department, Australia for details.



## Lockwood Guarantee

Lockwood Security Products Pty Limited ('Lockwood') guarantees its products against defects in workmanship and materials. If within the normal working life of a product it is found to be defective, Lockwood will supply the same or an equivalent product free of charge.

All electrical components used in our products are guaranteed for a period of five years from the date of manufacture. Lockwood however, assumes no liability under this guarantee for the following:

1. Improper installation or failure to follow fitting instructions.
2. Failure due to improper maintenance or fair wear and tear.
3. Indirect or consequential loss or damage.
4. Cost of removal and/or replacement.

5. Cost of freight and/or travelling time.
  6. The plated finishes, Florentine Bronze, Architectural Bronze, Polished Brass, Gold and Satin Brass are classified as soft finishes. As deterioration is possible under some climatic conditions, these finishes are excluded from this guarantee.
  7. Any modification to a product as supplied, or repairs, unless authorised by Lockwood.
  8. Use of replacement parts other than authorised parts.
  9. Malfunction or failure of the product due to the use of non-genuine Lockwood parts.
- Nothing in the Lockwood guarantee excludes, restricts or modifies any condition, warranty, right or liability implied or protected by law where to do so would render the Guarantee, or any part of it, void.